



Product Application

Ozark River Portable Sinks® are designed to assist individuals and businesses comply with hand washing codes and regulations by placing hand washing at the point of contact.

The Lil Premier Series is designed for children and use in tight spaces. This model is appropriate for these compliance application types:

- Day Cares
- Head Start Programs
- Early Education
- Care Homes
- Classrooms and Schools
- Child Development Centers



Standard Features

- Self-Contained Portable Sink
- Instant Hot Water System
- Patented Design
- Three Top and Basin Options
- Phthalate FREE Melamine Laminate
- 5 Gal. Fresh and 6 Gal. Gray (Water Tanks)
- Liquid Soap Dispenser
- Swivel Casters, Front Locking
- Locking Cabinet with All Metal Bottom
- Long Faucet Handles (ADA Compliant)
- GFCI Outlet Protection
- Exclusive Quick-Connect Tank System

Cabinet Colors Available:



Maple (M) Cherry (C)



CHSTM-LM-SS1N



Quick Connect Tank System



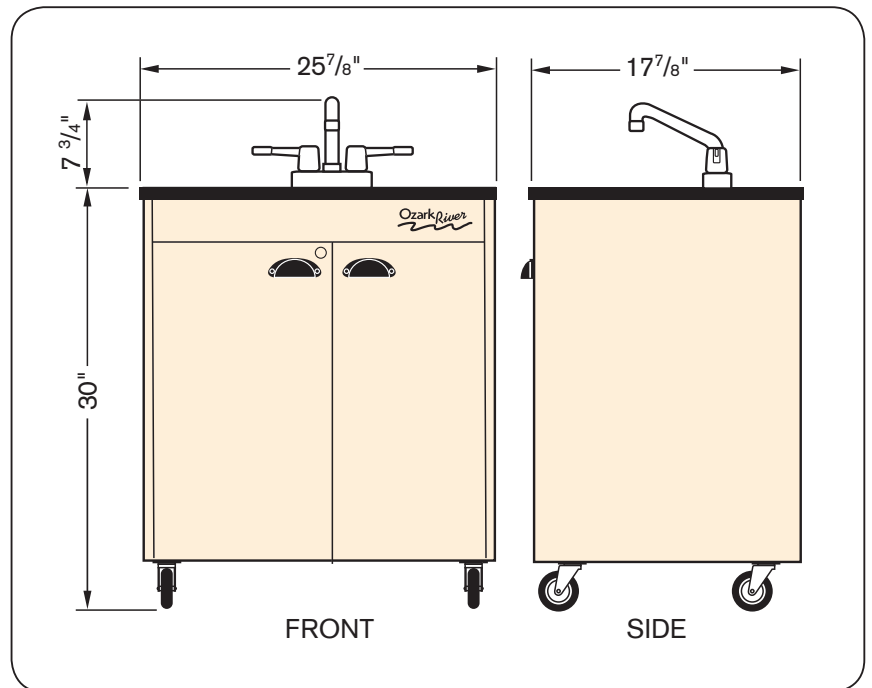
On Demand Hot Water Heater



Easy Fill Water Tanks
1- 5 Gallon Fresh
1- 6 Gallon Waste

Standard Operating Requirements

- Each sink must have grounded, dedicated 110V, 20A circuit breaker
- Dry, inside level surface
- If extension cord is used, cord must be 12/3, rated at 20A or higher
- Water must meet EPA Standards with PH between 7.0 and 9.0

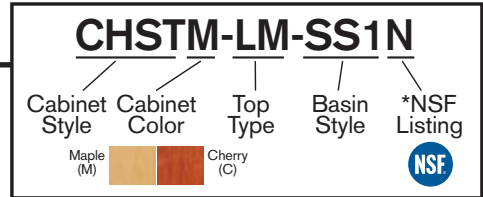


Quick Guide

Lil Premier Series

Child Height Portable Hot Water Hand Washing Stations

How Our Model Numbers Work



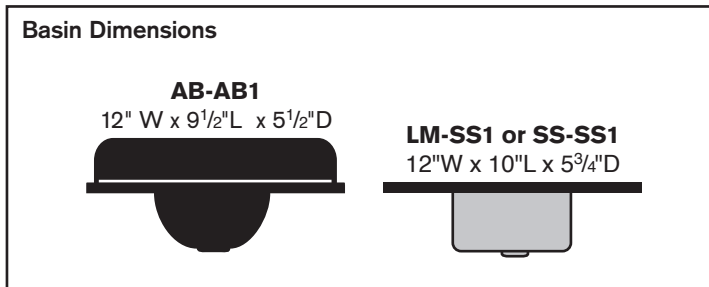
* If "N" is not included in the Model Number, the product is not NSF Certified.

Model Number	CHSTM-AB-AB1N / CHSTC-AB-AB1N
Model Name	Lil Premier
Number of Basins	Single
Basin Material	ABS
Basin Dimensions	12" W x 9.5" L x 5.5" D
Top Material	Integrated ABS
Cabinet Dimensions	25.875" W x 17.875" D x 30" H
Cabinet Material	Phthalate and Lead Free Melamine
Cabinet Colors	Maple and Cherry
Product Weight	68 lbs.
NSF Certified	Yes
GPM	0.50
Fresh Water Tank	5 Gallon
Waste Water Tank	6 Gallon
Approx Hand Washings	40 qty. 15 second hand washings
Electrical Requirements	110V, 20A Dedicated Outlet and Breaker
Warranty	2 Years

Model Number	CHSTM-LM-SS1N / CHSTC-LM-SS1N
Model Name	Lil Premier 1
Number of Basins	Single
Basin Material	Stainless Steel
Basin Dimensions	12" W x 10" L x 5.75" D
Top Material	Phthalate and Lead Free Melamine
Cabinet Dimensions	25.875" W x 17.875" D x 30" H
Cabinet Material	Phthalate and Lead Free Melamine
Cabinet Colors	Maple and Cherry
Product Weight	68 lbs.
NSF Certified	Yes
GPM	0.50
Fresh Water Tank	5 Gallon
Waste Water Tank	6 Gallon
Approx Hand Washings	40 qty. 15 second hand washings
Electrical Requirements	110V, 20A Dedicated Outlet and Breaker
Warranty	2 Years

Model Number	CHSTM-SS-SS1N / CHSTC-SS-SS1N
Model Name	Silver Lil Premier 1
Number of Basins	Single
Basin Material	Stainless Steel
Basin Dimensions	12" W x 10" L x 5.75" D
Top Material	Stainless Steel
Cabinet Dimensions	25.875" W x 17.875" D x 30" H
Cabinet Material	Phthalate and Lead Free Melamine
Cabinet Colors	Maple and Cherry
Product Weight	68 lbs.
NSF Certified	Yes
GPM	0.50
Fresh Water Tank	5 Gallon
Waste Water Tank	6 Gallon
Approx Hand Washings	40 qty. 15 second hand washings
Electrical Requirements	110V, 20A Dedicated Outlet and Breaker
Warranty	2 Years

Model Number	AC-01-STP
Model Type	Accessory
Material	Phthalate and Lead Free Melamine
Dimensions	22.75" W x 13.50" D x 6" H
Product Weight	11 lbs.



Design, colors, prices, options and features are subject to change without notice.



Lil Step Booster

Comply with 2 and 3 year old hand washing requirements with our booster step. Holds over 300 lbs!

AC-01-STP

Authorized Dealer



Ozark River
Portable Sinks®

Integrity Distribution LLC
Salem, Missouri
Tech Support: 877.841.3422
Office: 573.729.2057
Fax: 573.729.3846
www.OzarkRiver.com